

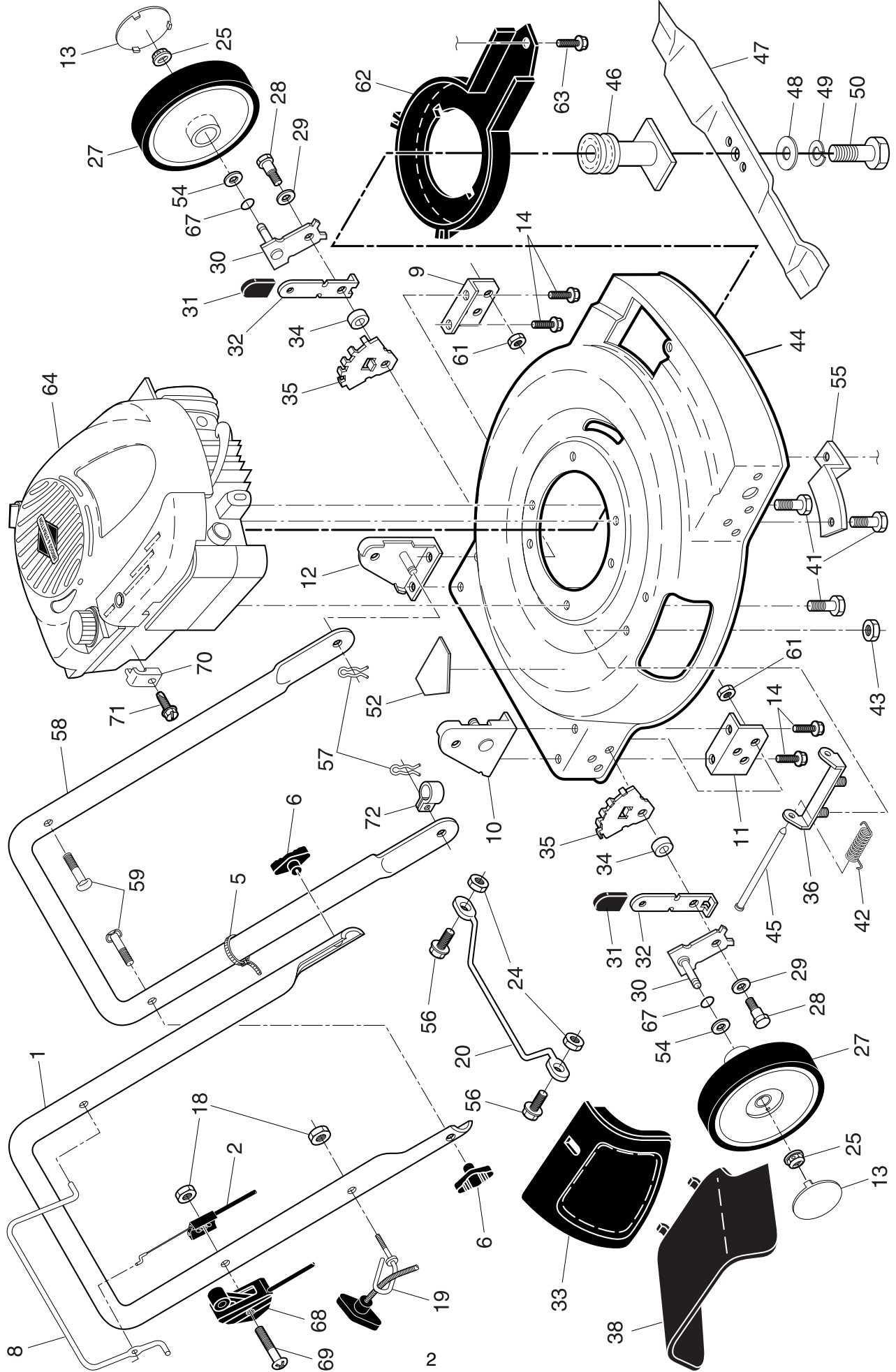
ILLUSTRATED PARTS LIST

CUSTOMER MODEL NUMBER 6556SM

PRODUCT NUMBER 961 21 00-06

MFG. ID. NUMBER 96121000600

ROTARY LAWN MOWER -- CUSTOMER MODEL NO. 6556SM (96121000600) PRODUCT NO. 961 21 00-06



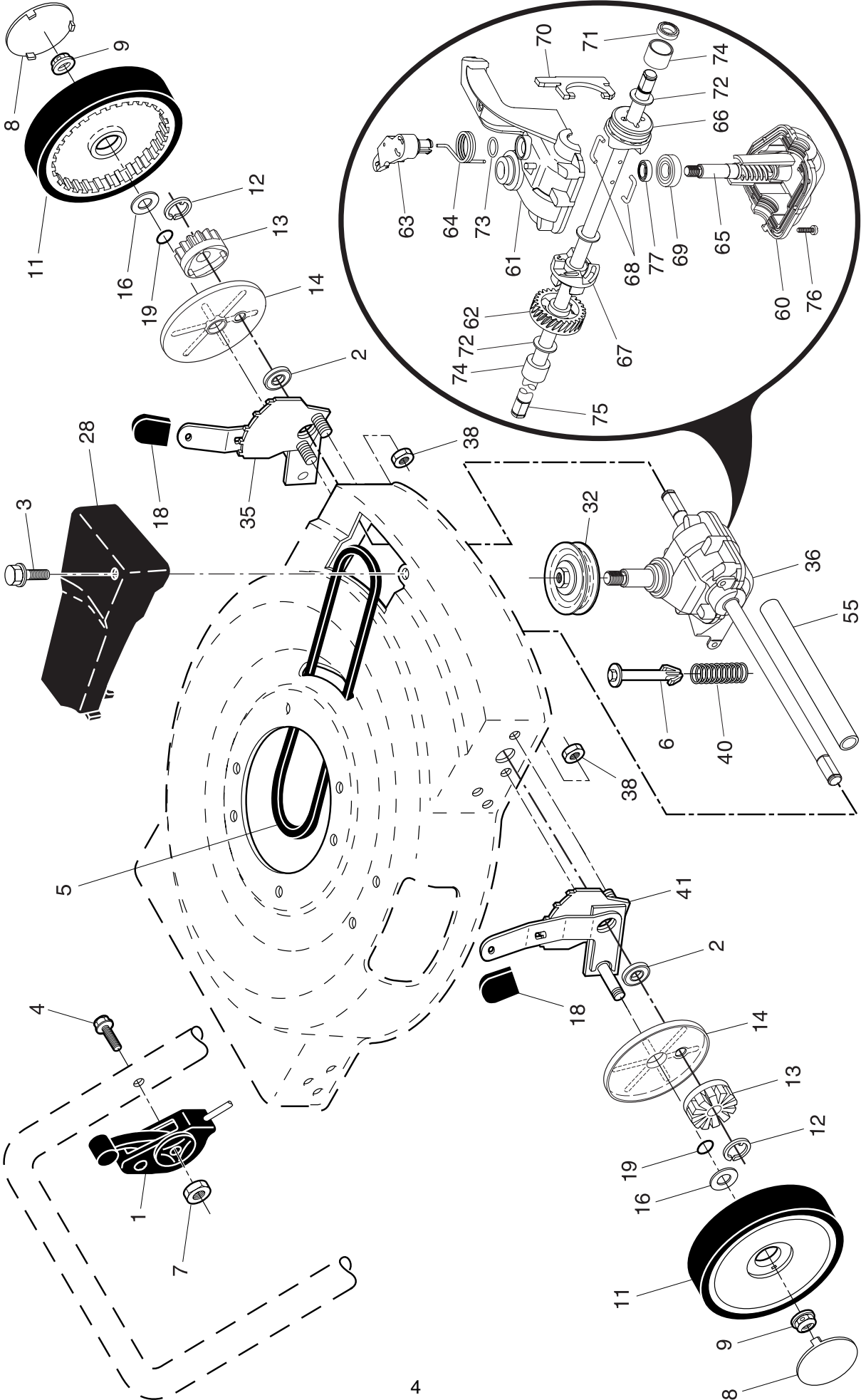
ROTARY LAWN MOWER - - CUSTOMER MODEL NO. 6556SM (9612100600) PRODUCT NO. 961 21 00-06

KEY NO.	PART NO.	DESCRIPTION	KEY NO.	PART NO.	DESCRIPTION
1	532 17 76-98	Upper Handle	43	873 80 04-00	Locknut, Hex
2	532 14 92-93	Engine Zone Control Cable	44	532 19 48-42	Kit, Mower Housing (Includes Key Number 52)
5	532 06 64-26	Wire Tie	45	532 14 72-86	Rod, Hinge
6	532 19 19-38	Handle Knob	46	532 18 91-79	Blade Adapter / Pulley
8	532 14 67-71	Control Bar	47	532 19 26-82	Blade, 22"
9	532 19 58-00	Support Bracket, Handle, LH	48	532 85 10-74	Washer, Hardened
10	532 17 09-75	Handle Bracket Assembly, RH	49	532 85 02-63	Washer, Lock, Helical
11	532 19 57-99	Support Bracket, Handle, RH	50	532 85 10-84	Screw, Hex Head 3/8-24 x 1-3/8 (Grade 8)
12	532 17 09-77	Handle Bracket Assembly, LH	52	532 18 21-66	Decal, Danger
13	532 16 43-78	Hubcap	54	532 08 83-48	Washer, Flat 3/8
14	532 14 97-41	Screw, Thread Cutting 5/16-18 x 3/4	55	532 19 09-39	Mounting Bracket, Debris Shield
18	532 13 20-04	Locknut, Keps	56	532 08 58-25	Screw, Hex Washer Head #10-24 x 1/2
19	532 17 95-85	Rope Guide	57	532 05 17-93	Hairpin Cotter
20	532 15 41-47	Foot Guard	58	532 15 50-44	Lower Handle
24	532 06 91-80	Nut, Hex	59	532 19 15-74	Handle Bolt
25	532 08 39-23	Locknut, Hex 3/18-16	61	532 75 15-92	Locknut, Hex
27	532 14 35-93	Wheel & Tire Assembly, Rear	62	532 18 87-84	Debris Shield
28	532 14 27-48	Shoulder Bolt	63	532 19 23-25	Screw, Debris Shield
29	532 06 23-35	Belleville Washer	64	- - -	Engine, Briggs & Stratton, Model Number 123K02 (Order parts from engine manufacturer)
30	532 14 98-57	Axle Arm Assembly	67	532 18 81-52	O-Ring
31	532 08 78-77	Knob, Selector	68	532 17 02-94	Throttle Control
32	532 14 17-30	Spring, Selector	69	532 18 33-65	Screw
33	532 15 18-89	Discharge Guard	70	532 11 11-90	Clamp, Cable
34	532 14 66-30	Spacer	71	532 08 38-16	Screw
35	532 15 50-47	Bracket, Wheel Adjuster	72	532 19 27-70	Clip, Cable
36	532 15 41-32	Bracket, Housing	- -	532 18 21-34	Warning Decal (not shown)
38	532 17 65-09	Deflector, Discharge	- -	532 19 67-18	Operator's Manual, European
41	532 15 04-06	Screw, Hex Head, Threaded, Rolled 3/8-16 x 1-1/8	- -	532 19 67-19	Operator's Manual, Scandinavian
42	532 15 21-24	Spring, Torsion			

NOTE: All component dimensions given in U.S. inches. 1 inch = 25.4 mm

IMPORTANT: Use only Original Equipment Manufacturer (O.E.M.) replacement parts. Failure to do so could be hazardous, damage your lawn mower and void your warranty.

ROTARY LAWN MOWER -- CUSTOMER MODEL NO. 6556SM (96121000600) PRODUCT NO. 961 21 00-06



ROTARY LAWN MOWER - - CUSTOMER MODEL NO. 6556SM (96121000600) PRODUCT NO. 961 21 00-06

KEY NO.	PART NO.	DESCRIPTION	KEY NO.	PART NO.	DESCRIPTION
1	532 18 45-87	Drive Control Assembly, with Cable	41	532 15 15-20	Kit, Wheel Adjuster, RH (Includes Knob and Bearing)
2	532 16 73-87	Bearing, Wheel Adjuster	55	532 08 60-12	Drive Shaft Cover
3	532 14 36-03	Screw, Tapping, Pan Head #10-24 x 2-3/4	60	532 18 34-97 *	Case, Lower
4	532 15 87-55	Screw, Machine, Pan Head 1/4-20 x 2-3/16	61	532 18 34-98 *	Case, Upper
5	532 14 65-27	V-Belt	62	532 18 34-99	Gear, 27 Teeth
6	532 15 04-95	Bolt, Hex Head 1/4-20 x 2	63	532 18 35-00	Lever, Clutch
7	532 19 17-30	Nut, Hex	64	532 18 35-01	Spring, Return
8	532 16 43-78	Hubcap	65	532 18 35-02	Shaft, Input
9	532 08 39-23	Locknut, Hex	66	532 18 35-03	Dog, Movable
11	532 18 07-56	Wheel & Tire Assembly	67	532 18 35-04	Dog, Fixed
12	812 00 00-58	E-Ring	68	532 18 35-05	Wire, Formed
13	532 13 70-54	Pinion	69	532 18 35-06	Bearing, Ball
14	532 18 94-03	Dust Cover	70	532 18 35-07	Fork, Shift
16	532 06 77-25	Washer	71	532 18 35-08	Seal, Output Shaft
18	532 08 78-77	Knob, Selector	72	532 18 35-09	Washer
19	532 18 81-52	O-Ring	73	532 18 35-10	Seal, Case
28	532 19 61-92	Drive Cover	74	532 18 35-11	Bushing
32	532 19 41-26	Pulley, Drive	75	532 18 75-21	Shaft, Output
35	532 15 15-21	Kit, Wheel Adjuster, LH (Includes Knob and Bearing)	76	532 18 35-13	Screw
36	532 18 72-11	Gear Case Assembly, Complete	77	532 18 35-14	Seal, Input Shaft
38	873 80 04-00	Locknut, Hex			
40	532 13 70-90	Spring			

* Use Dow Corning #709 to reseal Gear Case Halves.

NOTE: All component dimensions given in U.S. inches. 1 inch = 25.4 mm

IMPORTANT: Use only Original Equipment Manufacturer (O.E.M.) replacement parts. Failure to do so could be hazardous, damage your lawn mower and void your warranty.